

**IMPORTANT NOTE :**

- 1) ALL DIMENSIONS AND LEVELS SHOWN IN THE DRAWING ARE IN MM AND SHOULD BE FOLLOWED AS SHOWN IN THE DRAWING.
- 2) THE DRAWING SHOULD BE READ IN CONJUNCTION WITH ARCHITECTURAL DRAWING AND ANY DISCREPANCY BETWEEN THE TWO SHOULD BE BROUGHT TO THE NOTICE OF THE CONSULTANT BEFORE COMMENCING OF JOB
- 3) LEVELS IN THE DRAWING ARE SHOWN WITH REFERENCE TO EXISTING G.L AT SITE. WHICH HAS BEEN MARKED AS R.L +/-0.00

- 3) LEVELS IN THE DRAWING ARE SHOWN WITH REFERENCE TO EXISTING G.L AT SITE. WHICH HAS BEEN MARKED AS R.L +/-0.00
- 4) THE DRAWINGS SHOULD BE STUDIED CAREFULLY AND ALL DIMENSIONS SHOWN HERE SHOULD BE CHECKED AT SITE. CLARIFICATION REGARDING DISCREPANCY IF ANY, SHOULD BE OBTAINED BEFORE COMMENCEMENT OF WORK.
- 5) SPACER BAR USED SHALL BE OF 20mm. OR DIAMETER OF THE BAR USED IN THE JOB
- 6) STEEL TO BE USE SHOULD BE OF Fe-500 GRADE. REINFORCEMENT SHOULD BE WITH COLD TWISTED DEFORMED BARS CONFIRMING TO IS : - 1786 AND HAVE BEEN SHOWN AS  $\Phi$ .

- 7) CONCRETE SHOULD BE OF GRADE M25
- 8) CLEAR COVER FOR MAIN REINFORCEMENT UNLESS MENTIONED SHOULD BE AS BELOW:-
  - a) STAIR SLAB AND FLOOR SLAB:- 15 MM
  - b) FLOOR BEAM:- 30 MM
  - c) CLEAR COVER FOR PILE :- 50 MM & PILECAP:- 75 MM
  - d) COLUMN :- 25MM FOR LONGITUDINAL BAR OF 12 MM DIAMETER. COLUMN :- 40MM FOR LONGITUDINAL BAR OF MORE THAN 12 MM DIAMETER.
  - e) ANCHORAGE/LAP LENGTH SHOULD NOT BE LESS THAN 48 D FOR TENSION BAR AND 38 D FOR COMPRESSION BAR.

**SCHEDULE OF BEAM (M25 AND FE 500)**

| MKD. | SIZE (MMxMM) | TOP REINF. |                 | BOTTOM REINF. |                  | STIRRUPS (2 LEGGED)          |
|------|--------------|------------|-----------------|---------------|------------------|------------------------------|
|      |              | ALTH.      | EXT. AT SUPPORT | ALTH.         | EXT. AT MID SPAN |                              |
| TB1  | 250x300      | 3-12       | -               | 3-12          | -                | 2L-10 MM @ 150mm C/C (ALTH.) |
| B1   | 250x400      | 2-16       | 2-16            | 2-16          | 2-12             |                              |
| B2   | 250x400      | 2-12       | 2-16            | 2-16          | 1-12             |                              |
| B3   | 250x400      | 2-12       | 1-16            | 3-16          | -                |                              |
| B4   | 250x400      | 3-12       | -               | 3-12          | -                |                              |

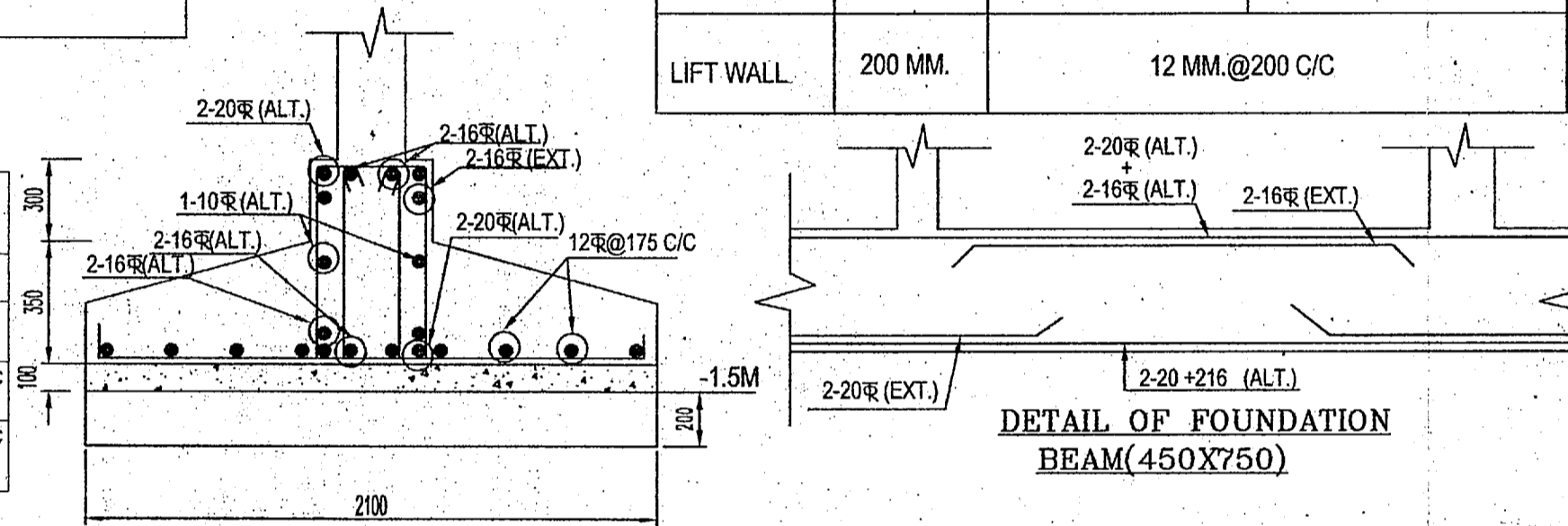
**SCHEDULE OF COLUMN (M25 AND FE 500)**

| COLUMN NOS. | SIZE (MMxMM) | FDN. TO 2ND. FL. | 2ND. FL. TO 4TH. FL. |
|-------------|--------------|------------------|----------------------|
| C4,C5,C6,C7 | 250X400      | 6-16 + 2-12      | 4-16 + 4-12          |
| C1,C2,C3    | 250X400      | 8-16             | 4-16 + 4-12          |
| C8,C9,C10   | 250X400      | 8-16             | 4-16 + 4-12          |
| LIFT WALL   | 200 MM.      | 12 MM. @ 200 C/C |                      |

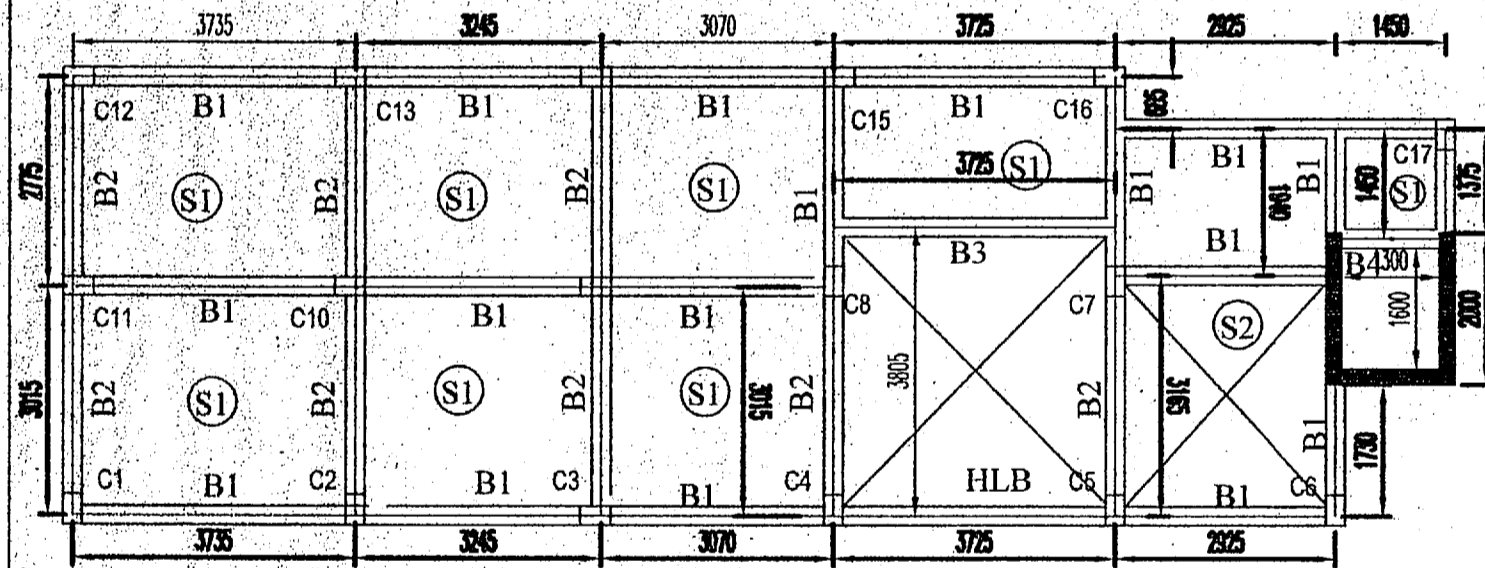
**SCHEDULE OF SLAB**

**SCHEDULE OF FLOOR SLAB (M25 AND FE 500)**

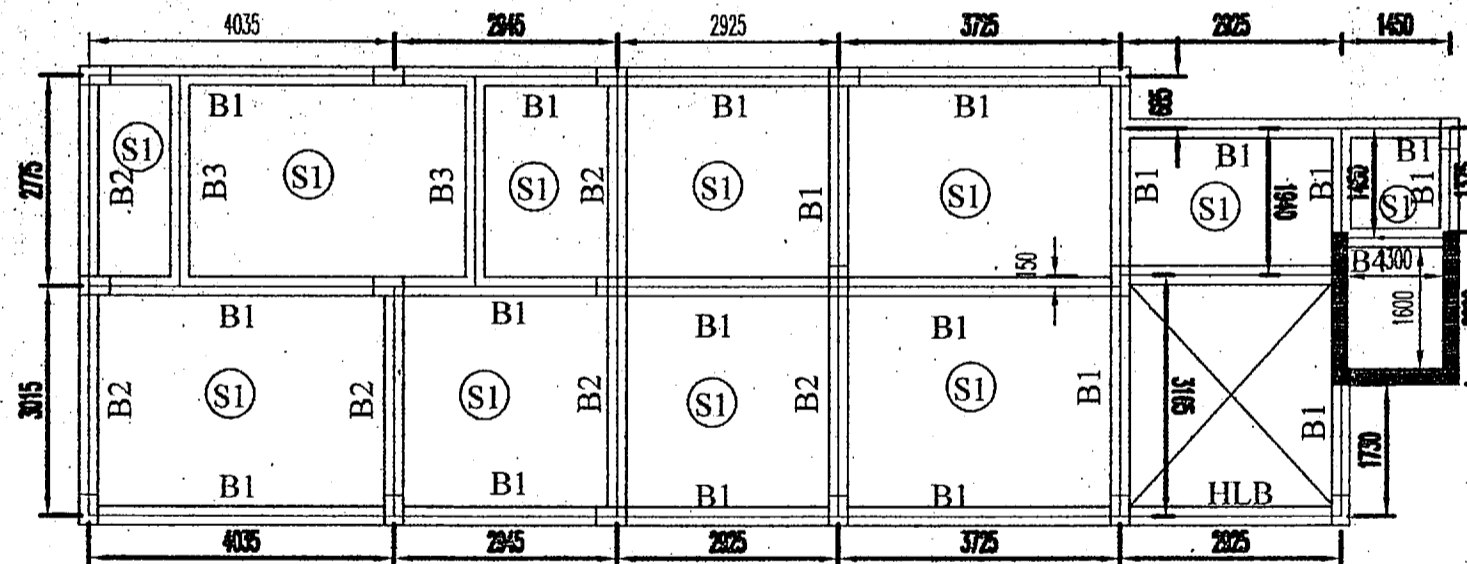
| MKD. | THICKNESS (MM) | REINF. ALONG SHORTER              |                                | REINF. ALONG LONGER               |                                |
|------|----------------|-----------------------------------|--------------------------------|-----------------------------------|--------------------------------|
|      |                | AT SUPPORT TOP                    | AT MID SPAN BOTTOM             | AT SUPPORT TOP                    | AT MID SPAN BOTTOM             |
| S1   | 115            | 10MM @150mm C/C EXTENDED UPTO L/3 | 10MM @165mm C/C ALT. CURTAILED | 10MM @165mm C/C EXTENDED UPTO L/3 | 10MM @175mm C/C ALT. CURTAILED |
| S2   | 125            | 10MM @150mm C/C EXTENDED UPTO L/3 | 10MM @165mm C/C ALT. CURTAILED | 10MM @165mm C/C EXTENDED UPTO L/3 | 10MM @175mm C/C ALT. CURTAILED |



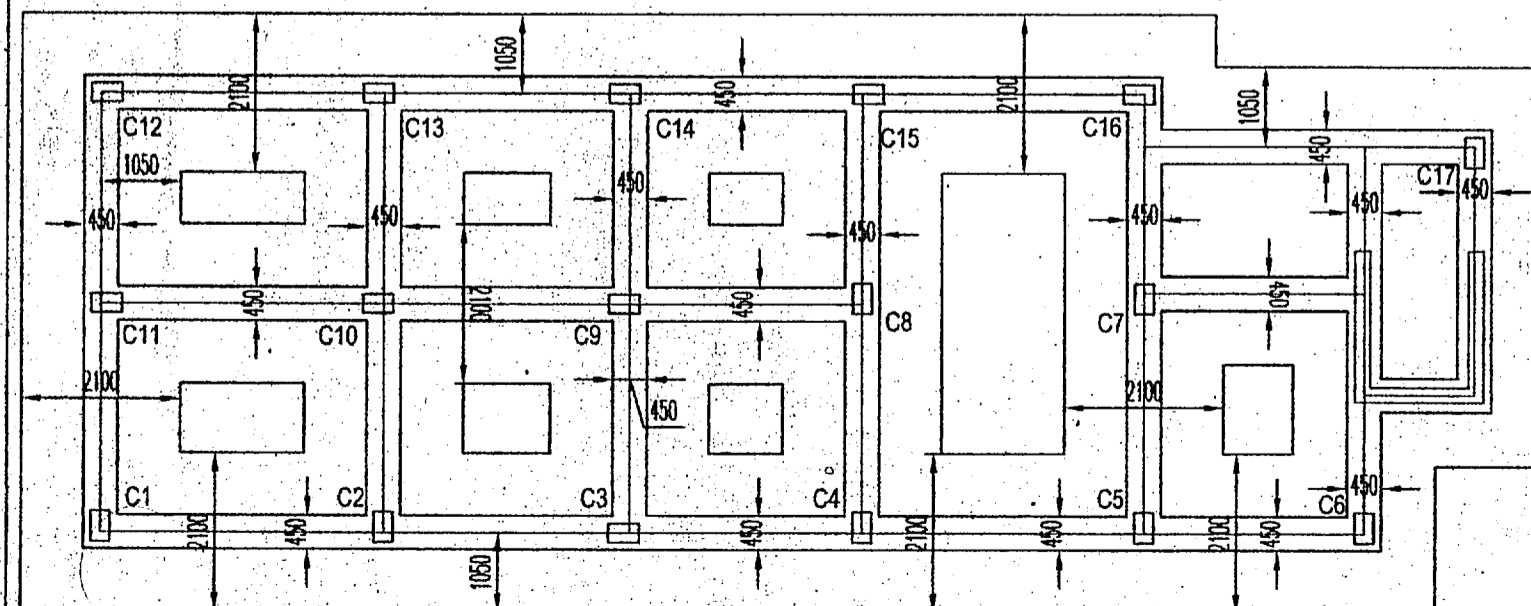
**DETAIL OF FOUNDATION BEAM (450X750)**  
SCALE 1:25



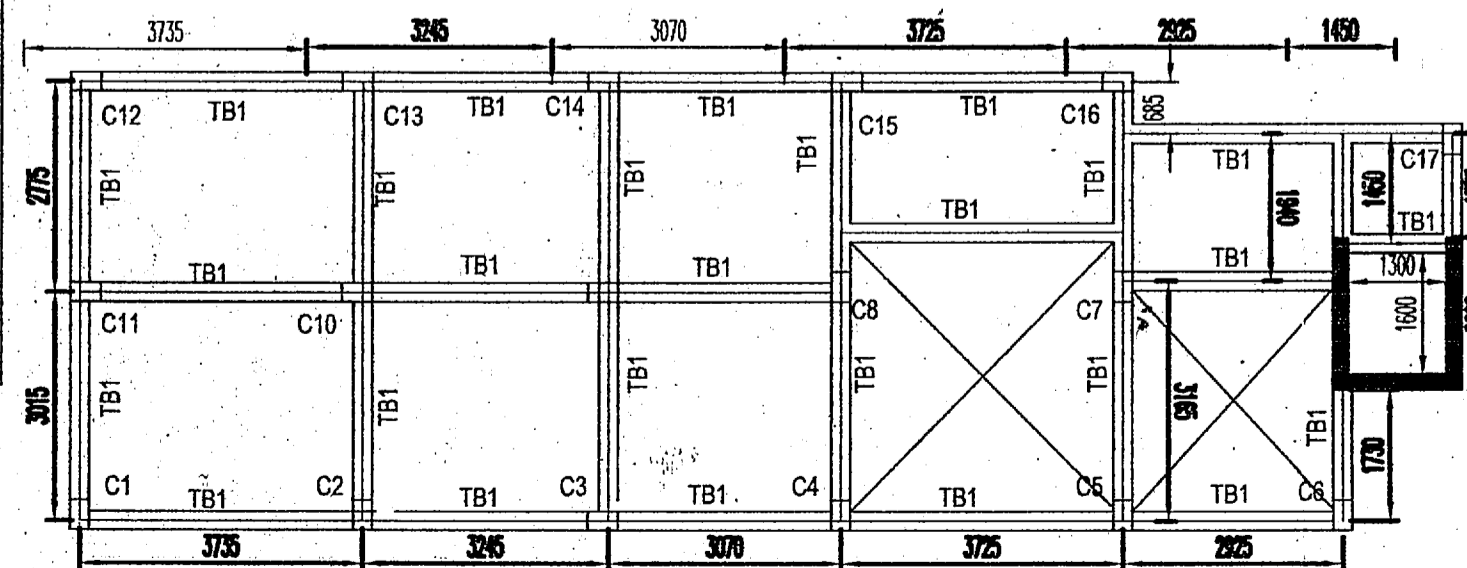
**1ST & 2ND BEAM FLOOR PLAN (BLOCK 1)**



**2ND TO ROOF BEAM PLAN (BLOCK 1)**



**FOUNDATION LAYOUT PLAN (BLOCK 1)**



**TIE BEAM PLAN (BLOCK 1)**

**STRUCTURAL CERTIFICATE**

THE STRUCTURAL DESIGN AND DRAWING OF BOTH FOUNDATION AND CONSIDERING ALL POSSIBLE LOADS INCLUDING THE SEISMIC LOAD AS SUPER STRUCTURE OF THE BUILDING HAS BEEN MADE BY ME PER NATIONAL BUILDING CODE OF INDIA AND CERTIFIED THAT IT IS SAFE AND STABLE IN ALL RESPECT.

**SUBIR C. SANYAL**  
E.S.E. NO. 007  
E.B.A. NO. 056  
UNDER RAJPUR-SONARPUR MUNICIPALITY

SIGNATURE OF STRUCTURAL ENGINEER (E.B.S. NO. 007)

**DECLARATION OF E.B.A.**

I HAVE CERTIFIED ON THE PLAN ITSELF WITH FULL RESPONSIBILITY THAT BUILDING RULES 1990 AS AMENDED FROM TIME TO TIME AND THAT THE SITE CONDITIONS INCLUDING THE ABUTTING ROAD CONFORM WITH THE PLAN AND THAT IT IS A BUILDABLE SITE AND NOT A TANK OR A FILLED UP LAND.

**SUBIR C. SANYAL**  
E.S.E. NO. 007  
E.B.A. NO. 056  
UNDER RAJPUR-SONARPUR MUNICIPALITY  
SIGNATURE OF E.B.A.

NAME OF OWNERS :- GODAWARI LAND & REAL ESTATE PVT. LTD.

RAJWADA GROUP  
Partner  
RAJWADA GROUP  
Partner  
RAJWADA GROUP  
Partner  
RAJWADA GROUP  
Partner  
As Lawfully Constituted Attorney of GODAVARI LAND & REAL ESTATE PVT. LTD.  
SIGNATURE OF OWNER

SHEET CONTAINS :- FLOOR BEAM AND STAIR DETAILS

**PROJECT**

**STRUCTURAL DRAWING FOR A REVISED PLAN OF G+IV & G+VII STORIED BUILDING AT HOLDING NO.-1159, KUMRAKHALI, WARD NO.- 27, DAG. NO. 1487, 1489, 1486, 1488, L.R.-1565, 1566, 1567, 1568, KHATIAN NO. 260, 264, 213, 206, L.R.- 2254, J.L NO. 48, MOUZA - KUMROKHALI, P.S - SONARPUR DIST. - 24 PSG(S), UNDER RAJPUR - SONARPUR MUNICIPALITY.**

VIDE SANCTION NO.- 1610 / CB / 27 / 64 DATED - 5-12-2012



|               |                   |
|---------------|-------------------|
| DRAWN - SWATI | SCALE 1:100       |
| DESIGNED      | DATE:- 25.07.2013 |
| CHECKED -     | JOB NO -          |
| APPROVED      |                   |

**Sanyalson Associates Consultant Pvt. Ltd.**  
CONSULTANT PLANNER & STRUCTURAL ENGINEERS  
KANUNGO PARK • KOLKATA-84

DWG NO.- 04/04

REV

**OFFICE USE**



**APPROVED**  
Plan No. 883/04/REV/27/80 Dated 16/08/2013  
Valid Upto 16/08/2016  
Partha Gupta  
Municipal Engineer  
Indu Bhushan Bhattacharyya  
Chairman  
RAJPUR-SONARPUR MUNICIPALITY